



**Warewashing  
green&clean Undercounter Dishwasher  
with Wash Safe Control, drain pump,  
CWS & detergent dispenser**

ITEM # \_\_\_\_\_

MODEL # \_\_\_\_\_

NAME # \_\_\_\_\_

SIS # \_\_\_\_\_

AIA # \_\_\_\_\_



**Warewashing  
green&clean Undercounter Dishwasher with Wash Safe Control, drain  
pump, CWS & detergent dispenser**



**502063 (EUCAIWHGUK)**

Undercounter dishwasher, double skin, insulated with atmospheric boiler (4,5kW), continuous water softener, drain pump, detergent dispenser, wash safe control, 720d/h - UK

**Short Form Specification**

**Item No.** \_\_\_\_\_

Unit shall be Electrolux green&clean undercounter type hot water rinsing dishmachine with Wash Safe Control, drain pump and continuous water softener. Electrical characteristics to be\_ 400 volts three phase operation with three automatic cycles of 90/120/240 seconds for lightly, normal or heavily soiled items. Rinse temperature and pressure guaranteed by built-in atmospheric boiler and built in rinse booster pump, upper and lower stainless steel revolving washing spray arms. Unit to feature "Was Safe Control" led light.

Green light will indicate that all items washed have been properly rinsed.

304 Stainless steel construction to include door, frame, wash tank and jets. The unit shall include rinse aid and detergent dispenser pumps and drain pump.

**Main Features**

- Continuous water softener (CWS) to ensure complete and automatic regeneration of rinse water without pressure drop.
- Front loading of regeneration salt: 2 resin containers alternate for non-stop washing.
- Built-in rinse aid and detergent dispenser with automatic initial and continuous cycle loading for perfect result while minimizing service and maintenance needs.
- Constant temperature throughout the rinsing cycle regardless of the network's water pressure and temperature.
- Slanted wash arm to avoid detergent-filled wash water dropping on clean dishes after the rinsing phase, thus guaranteeing ideal washing results.
- Unique temperature interlock guarantees required temperatures in both the wash and final rinse.
- Washing capacity of 40 baskets or 720 dishes per hour.
- 90/120/240 seconds cycle.
- Incorporated Soft Start feature to offer additional protection to more delicate items.
- High efficiency air gap (class A) in water inlet circuit to avoid water being siphoned back into the network as a result of a sudden drop in main pressures.
- 4 second (variable) pause after washing and before rinsing ensures that no drops of unclean water will fall on the clean items at the end of the rinsing cycle.
- Fault auto-diagnosis system.
- An effective rinse system uses only 2,5 litres of clean hot water per basket for lower running costs.
- Double skinned insulated wall ensures a low noise level and a reduction in heat loss from the machine.
- Utilizes fresh hot rinse water.
- Unique strainer to enhance soil filtering.
- Green light of "WASH SAFE CONTROL" confirms that items have been rinsed properly.
- Three phase or single phase electrical connection, convertible on-site.
- Low noise level.
- IPX 4 water protection.
- State-of-the-art electronic controls with built-in programming, self-diagnostics for serviceability and automatic interior self-cleaning cycle.
- Digital read-out keeps operator informed as to temperatures.
- WRAS-approved product.

**APPROVAL:** \_\_\_\_\_



## Construction

- Heavy duty Stainless steel construction.
- Internal cavity as well as exterior panels are all 304 series Stainless steel.
- Special designed Stainless steel nozzles provide superior cleaning action.
- Revolving Stainless steel wash/rinse arms above and below the basket.
- Interchangeable wash/rinse arms screw out for simple clean up.
- Large deep drawn wash tank and internal wash area with round corners and no pipes to avoid dirt built-up.
- Element protection from dry fire and low water.
- The boiler drain facilitates the evacuation of stagnant water after long periods of inactivity to ensure a higher level of hygiene.
- Incorporated drain pump to control water level in wash tank draining.
- Delivered with UK plug.

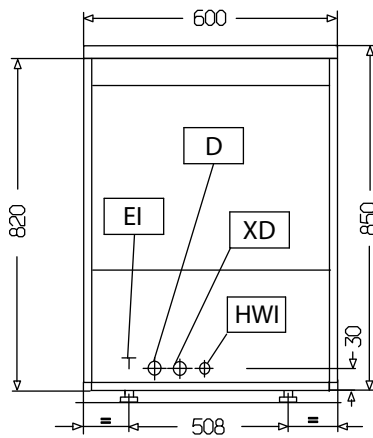
## Included Accessories

- 2 of Yellow cutlery container PNC 864242
- 1 of Basket for 18 dinner plates - yellow PNC 867002
- 1 of Basket for 48 small cups or 24 cups - blue PNC 867007

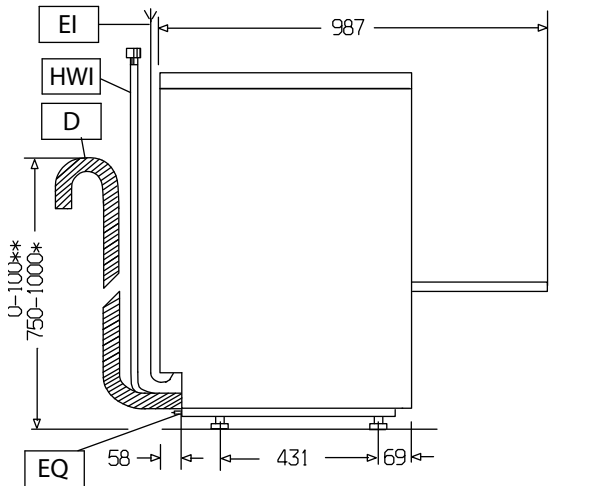
## Optional Accessories

- Stand for undercounter dishwasher PNC 860418
- Brass inlet valve kit for undercounter and hood type dishwashers PNC 864000
- External detergent level probe kit PNC 864004
- External rinse aid level probe kit PNC 864005
- Kit 4 castors for double skin undercounter dishwashers PNC 864008
- Kit 4 flanged feet (marine feet) for undercounter dishwasher PNC 864009
- Stainless steel inlet hose kit PNC 864016
- Kit to measure total and partial water hardness PNC 864050
- Yellow cutlery container PNC 864242
- Filter for total demineralization PNC 864367
- Pressure reducer for single tank dishwasher PNC 864461
- Half size basket universal PNC 864527
- Half size basket for plates PNC 864528
- Half size basket for glasses PNC 864529
- Kit 4 plastic boxes for cutlery - yellow PNC 865574
- Basket for 18 dinner plates - yellow PNC 867002
- Basket for 5 trays 530x325 mm - red, for undercounter (top level), utensil dishwashers, hood type, rack type PNC 867006
- Basket for 48 small cups or 24 cups - blue PNC 867007
- Wire basket for 12 plates up to 320 mm PNC 867014
- Cover rack for small and light items (500x500 baskets) PNC 867016
- Basket for long stem wine glasses PNC 867019
- Basket for 16 vertical glasses (h 70 mm - diam 100 mm) - blue PNC 867023
- Basket semi-professional 500x500x190mm PNC 867024

Front

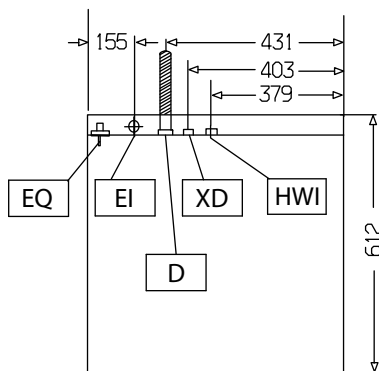


Side



- D = Drain
- EI = Electrical inlet (power)
- EO = Electrical Outlet
- HWI = Hot water inlet
- V = Air vents
- XD = Detergent connection
- XR = Rinse aid connection

Top



### Electric

**Supply voltage:**  
502063 (EUCAIWHGUK) 230 V/1N ph/50 Hz  
**Convertible to:** 400V 3N~; 230V 3~  
**Tank heating elements:** 2 kW

### Water:

**Water supply temperature\*:** 50 °C  
**Drain line size:** 20.5mm  
**Inlet Water supply pressure:** 7 - 102 psi (0.5 - 7 bar)  
**Water consumption per cycle (lt)\*\*:** 2.5  
**Boiler Capacity (lt):** 12  
**Tank Capacity (lt):** 23

### Key Information:

**Baskets per hour:** 40  
**N° of working cycles - sec.:** 3 (90/120/240)  
**Cell dimensions - width:** 500 mm  
**Cell dimensions - depth:** 500 mm  
**Cell dimensions - height:** 335 mm  
**Dishes per hour:** 720  
**Wash temperature:** 55-65°C  
**Rinse temperature:** 84 °C  
**External dimensions, Width:** 600 mm  
**External dimensions, Height:** 850 mm  
**External dimensions, Depth:** 612 mm  
**Noise level:** <65 dBA